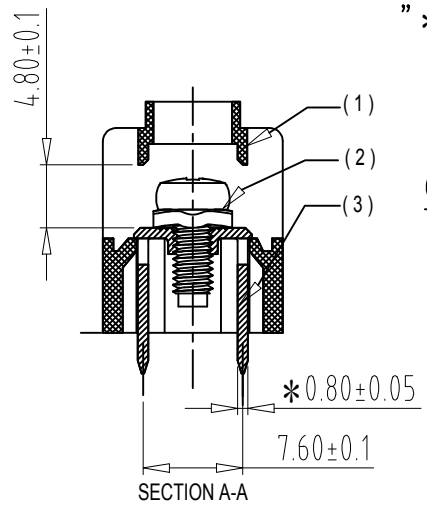
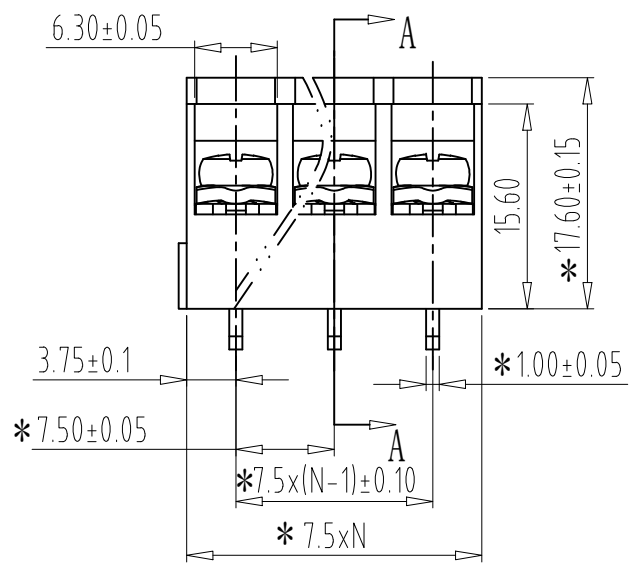
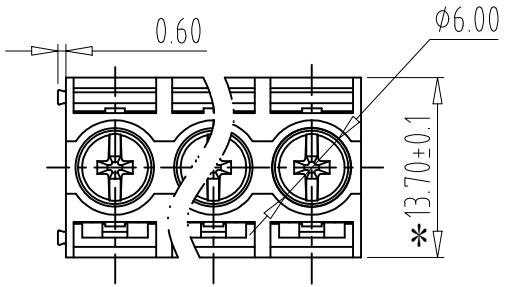
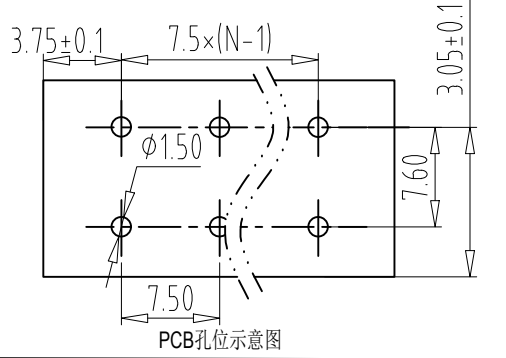


REV	CONTENT	CHK	DATE
VO.0	CONTENT	DLL	20.05.19



- Electrical:
- Rated voltage: 300V
 - Rated current: 15A
 - Withstanding voltage: AC2500V/1 Min
 - Pulse compression: 4000V, positive and negative pole 5 times no abnormal
 - Insulation impedance: More than 500 mΩ DC500V,
 - Contact resistance: ≤8mΩ
 - Rated screw torque: 7.1 kgf.cm
 - Pitch: 7.50mm
 - Wire range: 22~14AWG
- "*" is the key quality control point

GT25C-BS-XXP-1Y-00

Sereies: 02 02Contacts, 03 03Contacts, ... 24 24Contacts

Color: 1.Grey, 2.Blue, 3.Black, 4.Green, 5.Orange, 6.Red, 7.Transparent, 8.Yellow, 9.White

00 (Customer Request)

Single Pitch, Double Pitch

3	SCREW	XXXXXX	P	STEEL	Zn plated
2	SOLDERPIN	XXXXXX	P	BRASS	Tin Plated
1	HOUSING	XXXXXX	1	PA66 UL94V-0	
ITEM	NAME OF PART	NO. OF PART	Q'TY	MATERIAL	NOTE
DWG.	DLL	DATE	20.05.19	SIZE	A4 UNITS mm SHEET/OF 1 / 1
CHK.	DATE			SCALE	1:1
APP.	DATE			NAME	GT25C-BS-XXP-1Y-00
宁波冠泰电子有限公司 NINGBO GOLTEN ELECTRONICS CO., LTD.				DWGNO.	XXXXX

Total Pitch Tolerances in mm									Nominal dimension range in mm										⊥		≡		—		//		
over	over	over	over	over	over	over	over	over	over	over	over	over	over	over	over	over	over	over	over	over	over	over	over	over	over	over	over
0	30	53	70	90	115	150	250	350	0	30	53	70	90	115	150	200	250	320	0	10	0	100	0	100	0	150	
±0.18	±0.20	±0.25	±0.3	±0.35	±0.44	±0.60	±0.70	±0.85	±0.20	±0.25	±0.30	±0.35	±0.44	±0.55	±0.70	±0.80	±0.90	0.2	0.3	0.3	0.2	0.3	0.2	0.3	0.2	0.5	