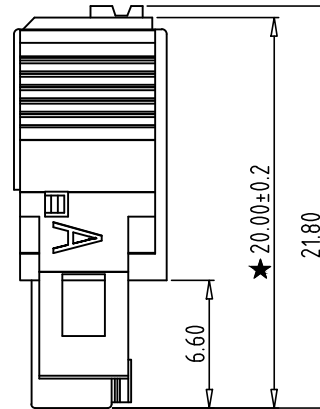
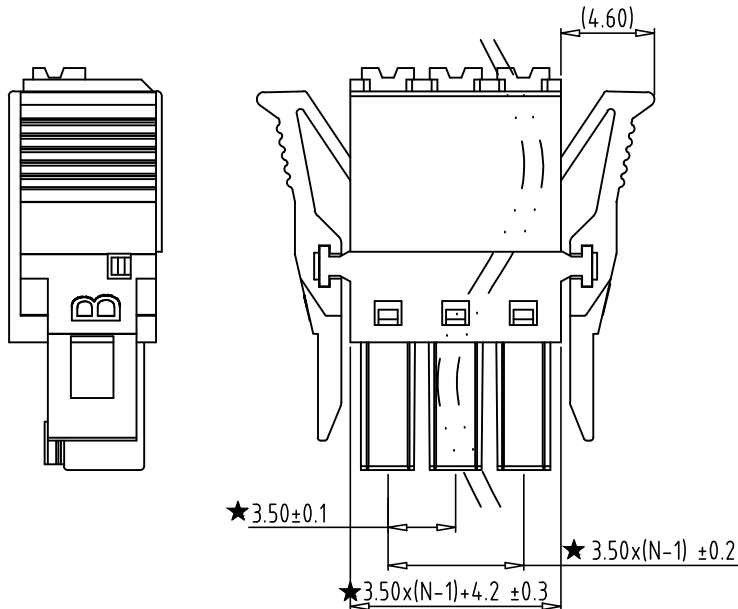
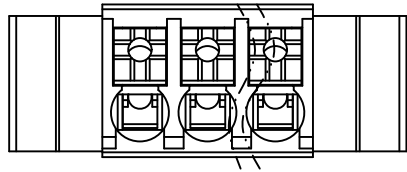
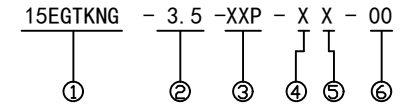


REV	CONTENT	CHK	DATE
V0.0	CONTENT	MYZ	21.06.24
V0.1	修正技术参数	LZW	23.04.13



Electrical :

- | | | |
|---|---------------|------------------------|
| | UL | IEC |
| 1. Rated Voltage : | 300V | 250V |
| 2. Rated Current : | 8A | 8A |
| 3. Wire Range: | 28-16AWG | 0.2-1.0mm ² |
| 4. Stripping Length : | 8-10mm | |
| 5. Withstanding Voltage : | AC1600V/1Min. | |
| 6. Operating Temperature : | -40°C~+105°C | |
| 7. RoHS Compliance | | |
| 8. Safty Approval : | | |
| 9. "★" is the key quality control point | | |



① Series NO. ④ 1 Single Pitch
2 Double Pitch

② Pitch ⑤ Color: 1 Grey
2 Blue
3 Black
4 Green
5 Orange
6 Red
7 Transparent
8 Yellow
9 White

⑥ Customer Request: 00--Standard

7	HANDLE-B	XX	1	PA66 UL94V-0	SEE NOTE
6	HANDLE-A	XX	1	PA66 UL94V-0	SEE NOTE
5	Clamp	XX	N	Copper Alloy	Tin Plated
4	Spring	XX	N	Stainless steel	/
3	Button	XX	N	POM UL94V-2	SEE NOTE
2	COVER	XX	1	PA66 UL94V-0	SEE NOTE
1	HOUSING	XX	1	PA66 UL94V-0	SEE NOTE

ITEM	NAME OF PART	NO. OF PART	Q'TY	MATERIAL	NOTE
DWG.	LZW	DATE	23.04.13	SIZE	A4 UNITS mm SHEET/OF 1 / 1
CHK.	DATE			SCALE	1:1
APP.	DATE			NAME	15EGTKNG-3.5-XXP-XX-00

Golten 宁波冠泰电子有限公司
NINGBO GOLTEN ELECTRONICS CO., LTD. DWGNO. XXXX

Total Pitch Tolerances in mm										Nominal dimension range in mm										⊥	≡	—	//							
over 0	over 30	over 53	over 70	over 90	over 115	over 150	over 250	over 350	over 500	over 0	over 30	over 53	over 70	over 90	over 115	over 150	over 200	over 250	over 320	over 0	over 10	over 0	over 100	over 100	over 150	10	all	to 0	to 100	to 150
±0.18	±0.20	±0.25	±0.3	±0.35	±0.44	±0.60	±0.70	±0.85	±0.20	±0.25	±0.30	±0.35	±0.44	±0.55	±0.70	±0.80	±0.90	0.2	0.3	0.3	0.3	0.2	0.3	0.5	0.2	0.3	0.3	0.2	0.3	0.5