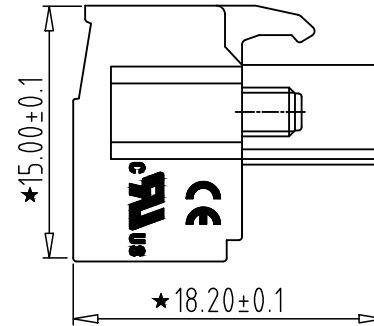
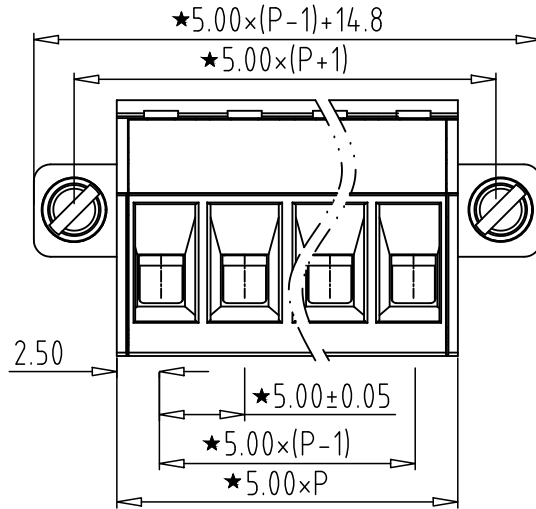
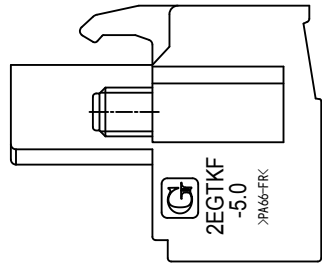
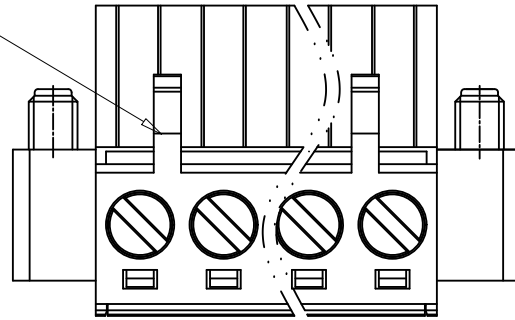


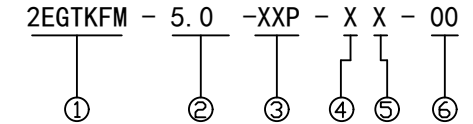
REV	CONTENT	CHK	DATE
VO.0	CONTENT	MYZ	21.06.07

02P:clasp on the left from this view



**Electrical :**

- |   |                 |                    |
|---|-----------------|--------------------|
|   | UL              | IEC                |
| 1.Rated Voltage :                       | 300V            | 320V               |
| 2.Rated Current :                       | 15A             | 20A                |
| 3.Torque Value :                        | M2.5 ,3.54Lb.in | M2.5, 0.4N.m       |
| 4.Wire Range:                           | 28-12AWG        | 2.5mm <sup>2</sup> |
| 5.Stripping Length :                    | 7-8mm           |                    |
| 6.Withstanding Voltage :                | AC1600V/1Min.   |                    |
| 7.Operating Temperature :               | -40°C~+105°C    |                    |
| 8.RoHS Compliance                       |                 |                    |
| 9.Safty Approval :                      |                 |                    |
| 10."★" is the key quality control point |                 |                    |



- ① Series NO.
- ② Pitch
- ③ Poles
- ④ 1 Single Pitch  
2 Double Pitch
- ⑤ Color: 1 Grey  
2 Blue  
3 Black  
4 Green  
5 Orange  
6 Red  
7 Transparent  
8 Yellow  
9 White
- ⑥ Customer Request: 00--Standard

6	SCREW-SIDE	XX	2	STEEL	Zn Plated
5	SCREW	XX	P	STEEL	Zn Plated
4	BLOCK	XX	P	BRASS	Ni Plated
3	CLAMP	XX	P	PHOSPHOR BRONZE	Tin Plated
2	COVER	XX	1	PA66 UL94V-0	SEE NOTE
1	HOUSING	XX	1	PA66 UL94V-0	SEE NOTE
ITEM	NAME OF PART	NO. OF PART	Q'TY	MATERIAL	NOTE
DWG.	MYZ	DATE	21.06.07	SIZE	A4 UNITS mm SHEET/OF 1 / 1
CHK.	DATE		SCALE	1:1	
APP.	DATE				
NAME			2EGTKFM-5.0-XXP-XX-00		
DWGNO.			XXXX		

Total Pitch Tolerances in mm										Nominal dimension range in mm										⊥	=	-	//			
over 0	over 30	over 53	over 70	over 90	over 115	over 150	over 250	over 350	over 500	over 0	over 30	over 53	over 70	over 90	over 115	over 150	over 200	over 250	over 320	over 0	over 10	over 100	over 150	0	100	150
±0.18	±0.20	±0.25	±0.3	±0.35	±0.44	±0.60	±0.70	±0.85	±0.20	±0.25	±0.30	±0.35	±0.44	±0.55	±0.70	±0.80	±0.90	0.2	0.3	0.3	0.3	0.2	0.3	0.5		