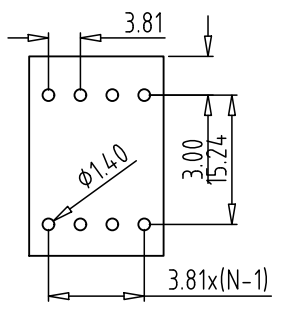


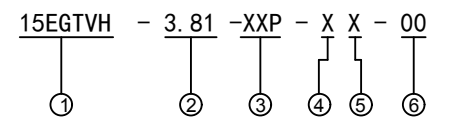
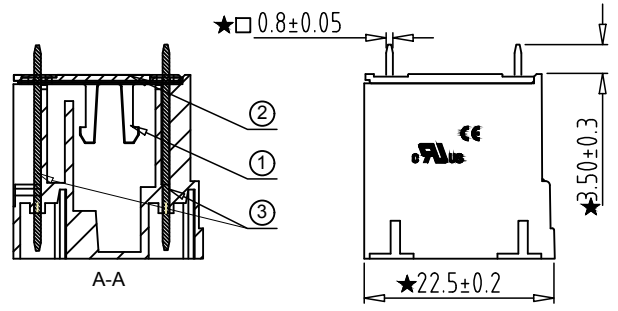
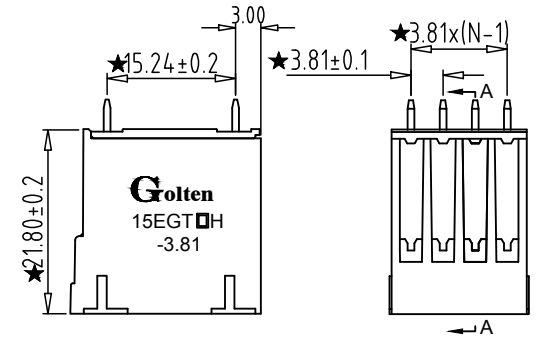
REV	CONTENT	CHK	DATE
V0.0	CONTENT	CXL	20.05.11



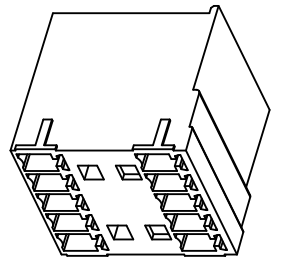
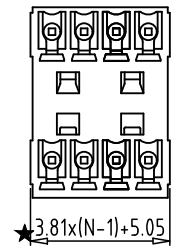
PCB LAYOUT

Electrical :

- | | | |
|---|---------------|------|
| | UL | IEC |
| 1. Rated Voltage : | 300V | 250V |
| 2. Rated Current : | 8A | 7A |
| 3. Withstanding Voltage : | AC1600V/1Min. | |
| 4. Operating Temperature : | -40°C~+105°C | |
| 5. RoHS Compliance | | |
| 6. Safty Approval : | | |
| 7. "★" is the key quality control point | | |



- ① Series NO.
- ② Pitch
- ③ Poles
02 02Contacts
03 03Contacts
...
24 24Contacts
- ④ 1 Single Pitch
2 Double Pitch
- ⑤ Color: 1 Grey
2 Blue
3 Black
4 Green
5 Orange
6 Red
7 Transparent
8 Yellow
9 White
- ⑥ Customer Request: 00--Standard



Total Pitch Tolerances in mm												Nominal dimension range in mm												⊥	≡	—	//		
over 0	over 30	over 53	over 70	over 90	over 115	over 150	over 250	over 350	over 500	over 0	over 30	over 53	over 70	over 90	over 115	over 150	over 200	over 250	over 320	over 350	over 500	0	over 10	over 100	over 150				
to 30	to 53	to 70	to 90	to 115	to 150	to 250	to 350	to 500		to 30	to 53	to 70	to 90	to 115	to 150	to 200	to 250	to 320	to 350	to 500							all		
±0.18	±0.20	±0.25	±0.3	±0.35	±0.44	±0.60	±0.70	±0.85	±0.20	±0.25	±0.30	±0.35	±0.44	±0.55	±0.70	±0.80	±0.90	0.2	0.3	0.3	0.2	0.3	0.5						

3	PIN	XX	P	BRASS	Tin Plated			
2	COVER	XX	1	PA66 UL94V-0	SEE NOTE			
1	HOUSING	XX	1	PA66 UL94V-0	SEE NOTE			
ITEM	NAME OF PART		NO. OF PART	Q'TY	MATERIAL	NOTE		
DWG.	CXL	DATE	20.05.11	SIZE	A4	UNITS mm	SHEET/OF	1 / 1
CHK.	DATE	DATE		SCALE	1:1			
APP.	DATE	DATE		NAME	15EGTVH-3.81-XXP-XX-00			
				DWGNO.	XXXXX			