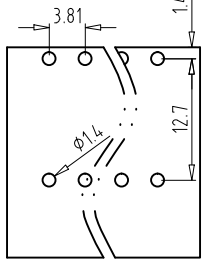


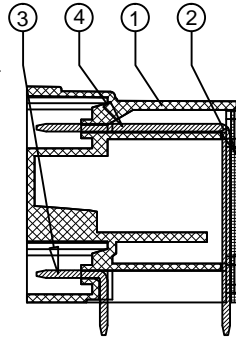
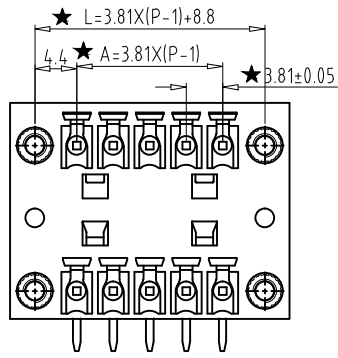
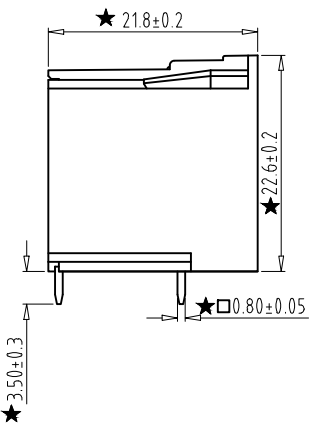
REV	CONTENT	CHK	DATE
V0.0	CONTENT	EXL	20.05.11



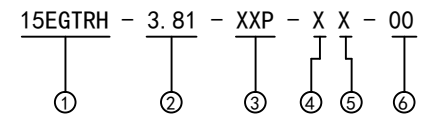
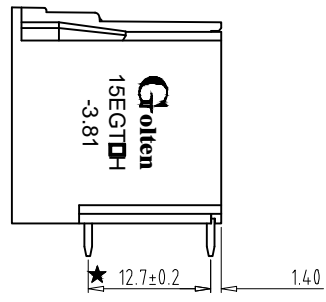
PCB LAYOUT

Electrical :

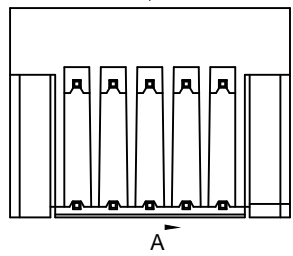
- 1. Rated Voltage : UL 300V IEC 250V
- 2. Rated Current : 8A 7A
- 3. Withstanding Voltage : AC1600V/1Min.
- 4. Operating Temperature : -40 °C~+105 °C
- 5. RoHS Compliance
- 6. Safety Approval :
- 7. "★" Is the key quality control point



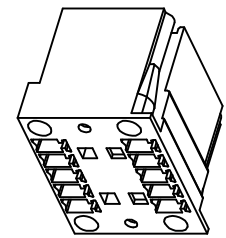
A-A



- ① Series No.
- ② Pitch
- ③ Poles
04 04Contacts
06 06Contacts
...
48 48Contacts
- ④ 1 Single Pitch
2 Double Pitch
- ⑤ Color: 1 Grey
2 Blue
3 Black
4 Green
5 Orange
6 Red
7 Transparent
8 Yellow
9 White
- ⑥ Customer Request : 00--Standard



A



Total Pitch Tolerances in mm								Nominal dimension range in mm								⊥		≡		—		//		
over	over	over	over	over	over	over	over	over	over	over	over	over	over	over	over	over	over	over	over	over	over	over	over	
0	30	53	70	90	115	150	250	0	30	53	70	90	115	150	200	0	10	0	100	0	100	0	150	
±0.18	±0.20	±0.25	±0.3	±0.35	±0.44	±0.60	±0.85	±0.20	±0.25	±0.30	±0.35	±0.44	±0.55	±0.70	±0.80	±0.90	0.2	0.3	0.3	0.3	0.2	0.3	0.5	

4	PIN-LONG	XX	P	Brass	Tin Plated
3	PIN-SHORT	XX	P	Brass	Tin Plated
2	COVER	XX	1	PA66(UL94V-0)	SEE NOTE
1	HOUSING	XX	1	PA66(UL94V-0)	SEE NOTE
ITEM	NAME OF PART	NO. OF PART	Q'TY	MATERIAL	NOTE
DWG.	CXL	DATE	20.05.11	SIZE	A4 UNITS mm SHEET/OF 1 / 1
CHK.	DATE			SCALE	1:1
APP.	DATE			NAME	15EGTRHM-3.81-XXP-XX-00
				DWGNO.	XXXX