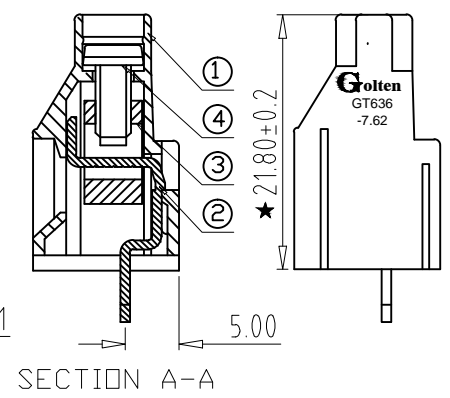
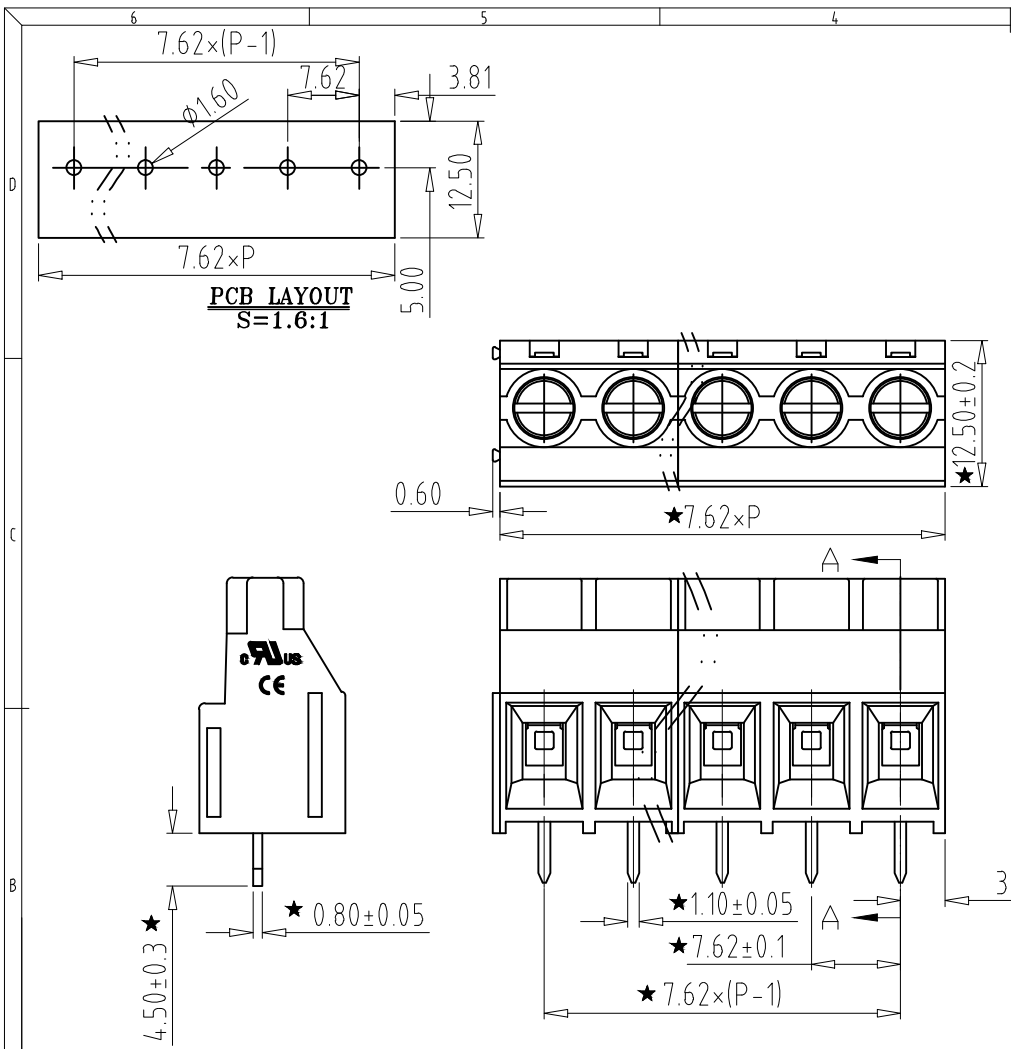


REV	CONTENT	CHK	DATE
V0.0	CONTENT	EXL	20.05.11

Electrical :

- | | | |
|----------------------------|-----------------------------------|------------------------|
| | UL | IEC |
| 1. Rated Voltage : | 300V | 450V |
| 2. Rated Current : | 30A | 24A |
| 3. Torque Value : | M3 , 4.43Lb.in | M3 , 0.5N.m |
| 4. Wire Range: | 26-10AWG | 1.5-4.0mm ² |
| 5. Stripping Length : | 7-8mm | |
| 6. Withstanding Voltage : | AC2500V/1Min. | |
| 7. Operating Temperature : | -40 °C~+105 °C | |
| 8. RoHS Compliance | | |
| 9. Safty Approval : | ULus CE | |
| 10. ★ | is the key quality control point. | |



- GT636 - 7.62 - XXP - X X - 00
- | | | | | | |
|---------------|-------|---------------|--|------------------------------------|-----------------------------------|
| ① | ② | ③ | ④ | ⑤ | ⑥ |
| Series No. | Pitch | Poles | Color: 1 Grey
2 Blue
3 Black
4 Green
5 Orange
6 Red
7 Transparent
8 Yellow
9 White | ④ 1 Single Pitch
2 Double Pitch | ⑥ Customer Request : 00--Standard |
| 02 02Contacts | | 03 03Contacts | | | |
| 24 24Contacts | | | | | |

Total Pitch Tolerances in mm										Nominal dimension range in mm										⊥		≡		—		//	
over	over	over	over	over	over	over	over	over	over	over	over	over	over	over	over	over	over	over	over	0	over	0	over	0	over	0	over
0	30	53	70	90	115	150	250	350	500	0	30	53	70	90	115	150	200	250	320	0	10	0	100	0	100	0	150
to	to	to	to	to	to	to	to	to	to	to	to	to	to	to	to	to	to	to	to	to	to	to	to	to	to	to	to
±0.18	±0.20	±0.25	±0.3	±0.35	±0.44	±0.60	±0.70	±0.85	±0.20	±0.25	±0.30	±0.35	±0.44	±0.55	±0.70	±0.80	±0.90	0.2	0.3	0.3	0.2	0.3	0.5				

4	SCREW	XX	P	STEEL	Zn Plated	
3	BLOCK	XX	P	BRASS	Ni Plated	
2	PIN	XX	P	BRASS	Tin Plated	
1	HOUSING	XX	1	PA66 UL94V-0	SEE NOTE	
ITEM	NAME OF PART		NO. OF PART	Q'TY	MATERIAL	NOTE
DWG.	CXL	DATE	20.05.11	SIZE	A4	UNITS mm SHEET/OF 1/1
CHK.	DATE			SCALE	1:1	
APP.	DATE			NAME	GT636-7.62-XXP-XX-00	
宁波冠泰电子有限公司 NINGBO GOLTEN ELECTRONICS CO., LTD.				DWGNO.	XXXX	