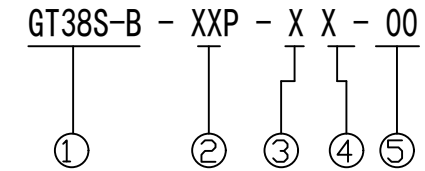
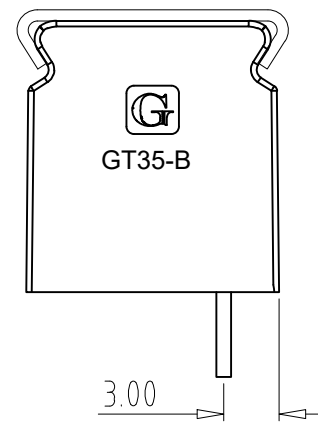
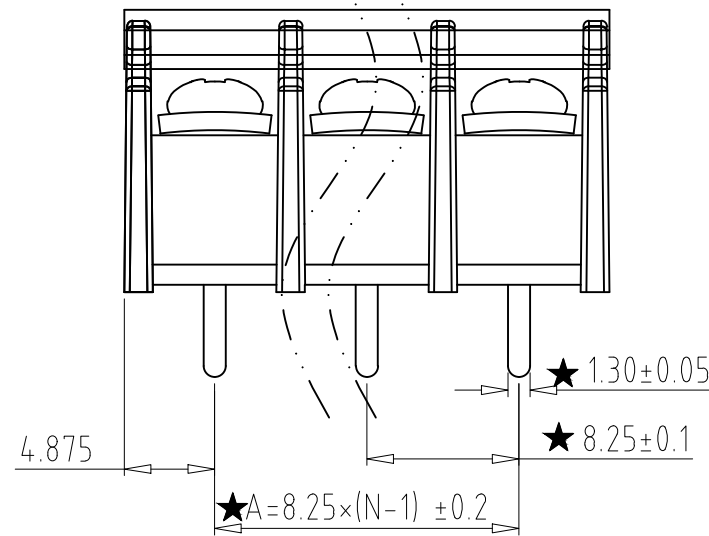
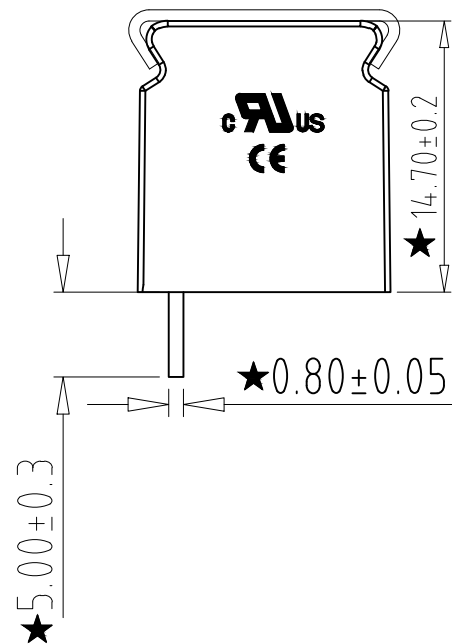
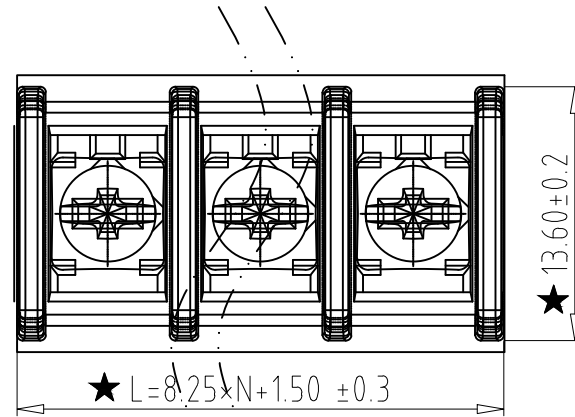
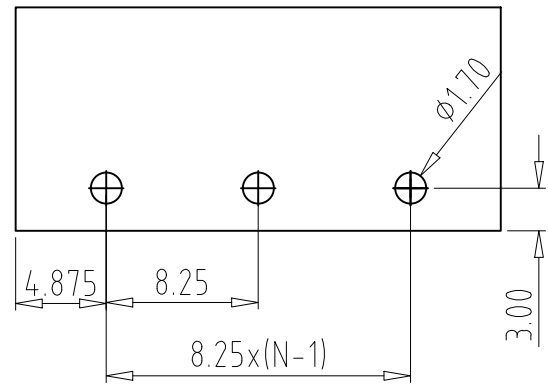


| | | | |
|------|---------|-----|----------|
| REV | CONTENT | CHK | DATE |
| V0.0 | CONTENT | YL | 22.10.21 |

Electrical :

- | | | |
|---|---------------|--------------------|
| | UL | IEC |
| 1.Rated Voltage : | 300V | 450V |
| 2.Rated Current : | 20A | 24A |
| 3.Torque Value : | M3 ,4.43Lb.in | M3 0.5N.m |
| 4.Wire Range: | 22-12AWG | 2.5mm ² |
| 5.Stripping Length : | 7-8mm | |
| 6.Withstanding Voltage : | AC1600V/1Min. | |
| 7.Operating Temperature : | -40°C~+105°C | |
| 8.RoHS Compliance | | |
| 9.Safety Approval : | cULus CE | |
| 10."★" is the key quality control point | | |

PCB LAYOUT



- ① Series NO.
- ② Poles
02 02Contacts
03 03Contacts
...
24 24Contacts
- ③ 1 Single Pitch
2 Double Pitch
- ④ Color: 1 Grey
2 Blue
3 Black
4 Green
5 Orange
6 Red
7 Transparent
8 Yellow
9 White
- ⑤ Customer Request: 00--Standard

| | | | | | |
|--------|--------------|-------------|-------------------|--------------|----------------------------|
| 3 | SCREW | XX | P | STEEL | Zn Plated |
| 2 | PIN | XX | P | BRASS | Tin Plated |
| 1 | HOUSING | XX | 1 | PA66 UL94V-0 | SEE NOTE |
| ITEM | NAME OF PART | NO. OF PART | Q'TY | MATERIAL | NOTE |
| DWG. | YL | DATE | 22.10.21 | SIZE | A4 UNITS mm SHEET/OF 1 / 1 |
| CHK. | DATE | | SCALE | 1:1 | |
| APP. | DATE | | | | |
| NAME | | | GT38S-B-XXP-XX-00 | | |
| DWGNO. | | | XXXX | | |

| Total Pitch Tolerances in mm | | | | | | | | | | Nominal dimension range in mm | | | | | | | | | | ⊥ | = | - | // | | |
|------------------------------|---------|---------|---------|---------|----------|----------|----------|----------|----------|-------------------------------|---------|---------|---------|---------|----------|----------|----------|----------|----------|--------|---------|-----|--------|----------|----------|
| over 0 | over 30 | over 53 | over 70 | over 90 | over 115 | over 150 | over 250 | over 350 | over 500 | over 0 | over 30 | over 53 | over 70 | over 90 | over 115 | over 150 | over 200 | over 250 | over 320 | over 0 | over 10 | all | over 0 | over 100 | over 150 |
| ±0.18 | ±0.20 | ±0.25 | ±0.3 | ±0.35 | ±0.44 | ±0.60 | ±0.70 | ±0.85 | ±0.20 | ±0.25 | ±0.30 | ±0.35 | ±0.44 | ±0.55 | ±0.70 | ±0.80 | ±0.90 | 0.2 | 0.3 | 0.3 | 0.2 | 0.3 | 0.5 | | |