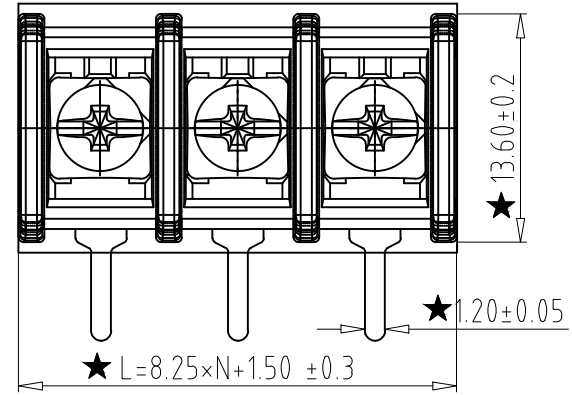
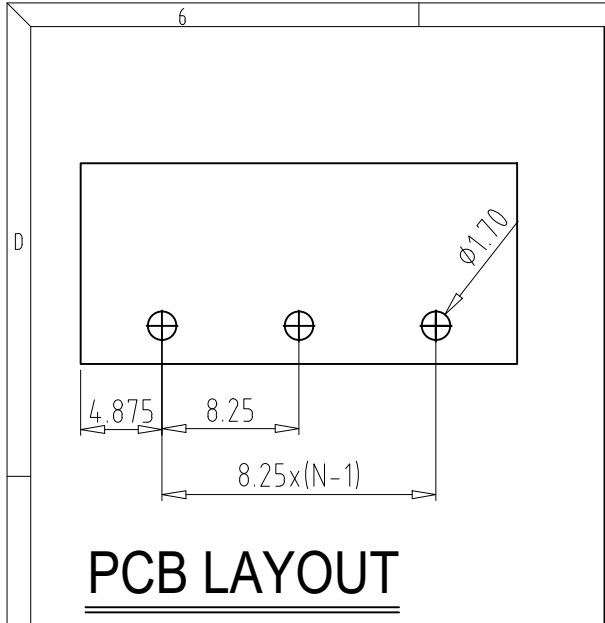


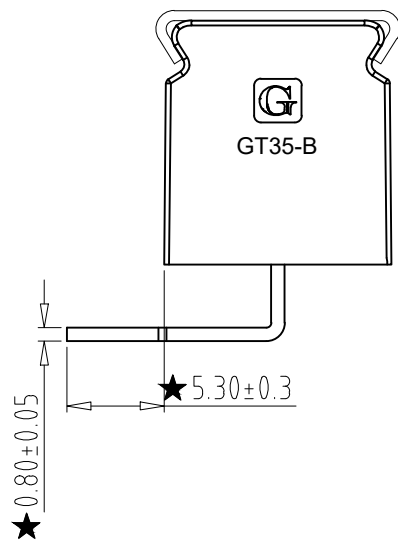
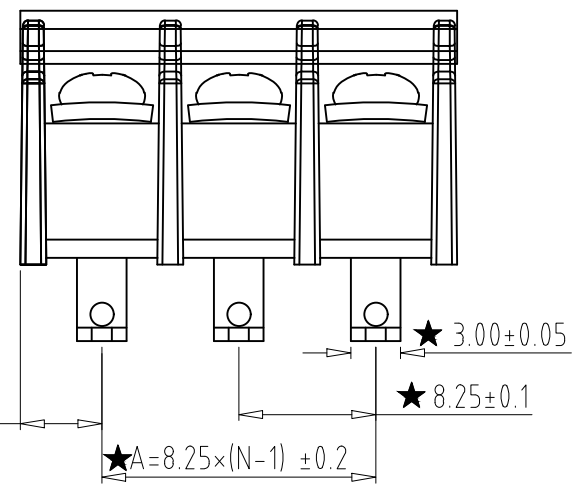
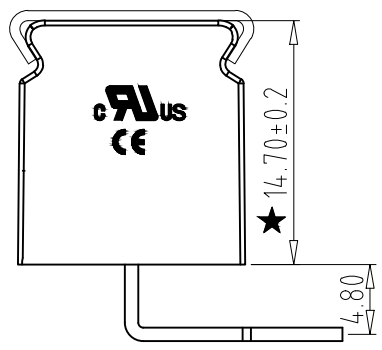
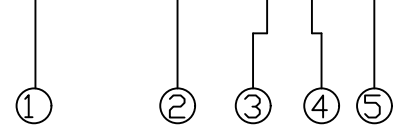
REV	CONTENT	CHK	DATE
V0.0	CONTENT	CXL	20.05.11



Electrical :

- | | | |
|--|---------------|--------------------|
| | UL | IEC |
| 1. Rated Voltage : | 300V | 450V |
| 2. Rated Current : | 20A | 24A |
| 3. Torque Value : | M3 ,4.43Lb.in | M3 0.5N.m |
| 4. Wire Range: | 22-12AWG | 2.5mm ² |
| 5. Stripping Length : | 7-8mm | |
| 6. Withstanding Voltage : | AC1600V/1Min. | |
| 7. Operating Temperature : | -40°C~+105°C | |
| 8. RoHS Compliance | | |
| 9. Safty Approval : | cULus CE | |
| 10. "★" is the key quality control point | | |

GT38R-B - XXP - X X - 00



- ① Series NO.
- ② Poles
02 02Contacts
03 03Contacts
...
24 24Contacts
- ③ 1 Single Pitch
2 Double Pitch
- ④ Color: 1 Grey
2 Blue
3 Black
4 Green
5 Orange
6 Red
7 Transparent
8 Yellow
9 White
- ⑤ Customer Request: 00--Standard

Total Pitch Tolerances in mm										Nominal dimension range in mm										⊥	=	-	//					
over	over	over	over	over	over	over	over	over	over	over	over	over	over	over	over	over	over	over	over	over	over	over	over	over	over	over	over	over
0	30	53	70	90	115	150	250	350	500	0	30	53	70	90	115	150	200	250	320	0	10	all	0	100	150	100	150	150
±0.18	±0.20	±0.25	±0.3	±0.35	±0.44	±0.60	±0.70	±0.85	±0.20	±0.20	±0.25	±0.30	±0.35	±0.44	±0.55	±0.70	±0.80	±0.90	0.2	0.3	0.3	0.3	0.2	0.3	0.5	0.2	0.3	0.5

3	SCREW	XX	P	STEEL	Zn Plated
2	PIN	XX	P	BRASS	Tin Plated
1	HOUSING	XX	1	PA66 UL94V-0	SEE NOTE
ITEM	NAME OF PART	NO. OF PART	Q'TY	MATERIAL	NOTE
DWG.	CXL	DATE	20.05.11	SIZE	A4 UNITS mm SHEET/OF 1/1
CHK.	DATE		SCALE	1:1	
APP.	DATE		NAME	GT38R-B-XXP-XX-00	
宁波冠泰电子有限公司 NINGBO GOLTEN ELECTRONICS CO., LTD.			DWGNO.	XXXX	