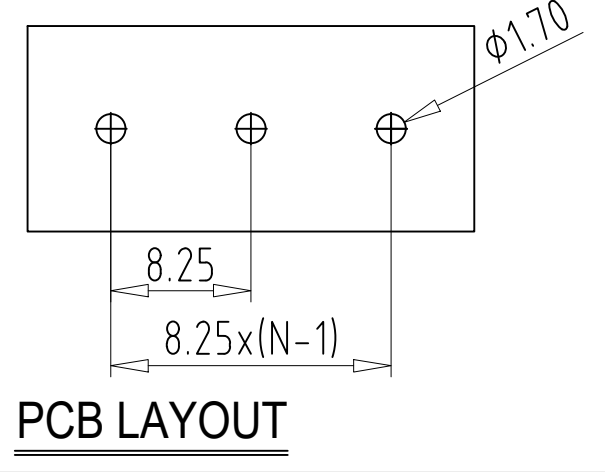
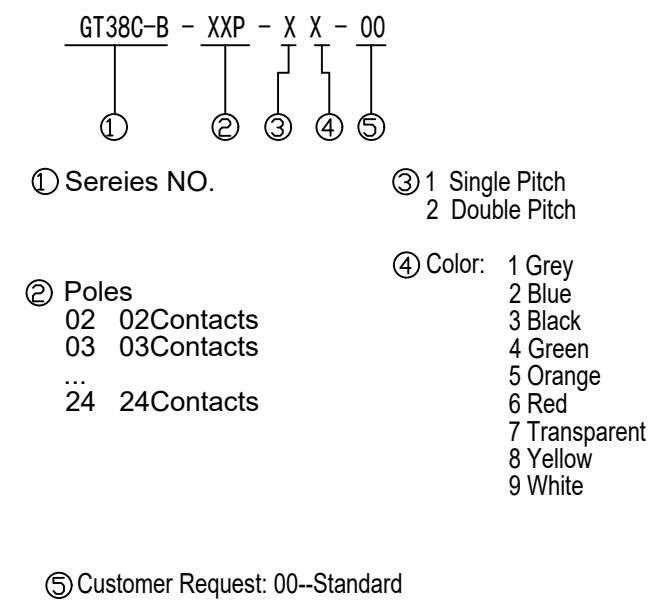
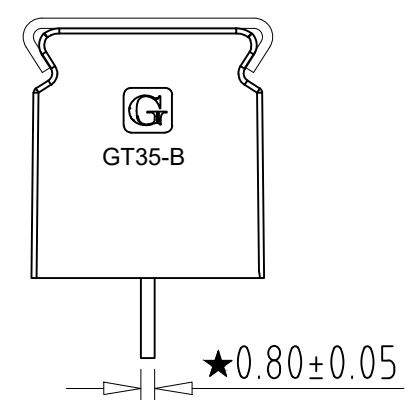
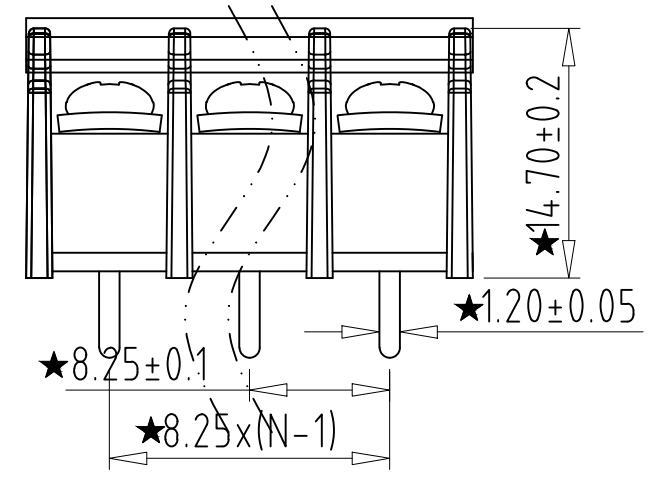
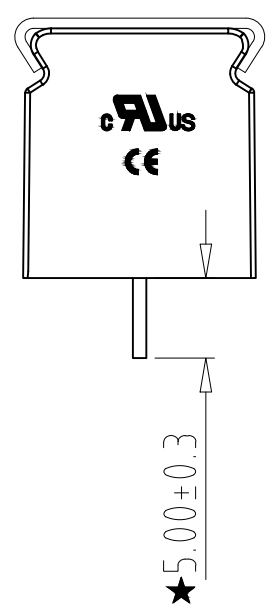
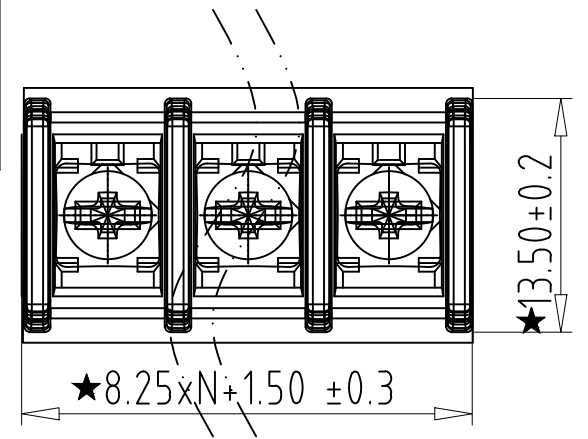


REV	CONTENT	CHK	DATE
V0.0	CONTENT	YL	22.10.21



**Electrical :**

- |  |               |                    |
|--|---------------|--------------------|
|  | <b>UL</b>     | <b>IEC</b>         |
| 1. Rated Voltage :                       | 300V          | 450V               |
| 2. Rated Current :                       | 20A           | 24A                |
| 3. Torque Value :                        | M3 ,4.43Lb.in | M3 0.5N.m          |
| 4. Wire Range:                           | 22-12AWG      | 2.5mm <sup>2</sup> |
| 5. Stripping Length :                    | 7-8mm         |                    |
| 6. Withstanding Voltage :                | AC1600V/1Min. |                    |
| 7. Operating Temperature :               | -40°C~+105°C  |                    |
| 8. RoHS Compliance                       |               |                    |
| 9. Safty Approval :                      | cULus CE      |                    |
| 10. "★" is the key quality control point |               |                    |



Total Pitch Tolerances in mm										Nominal dimension range in mm										⊥	=	-	//		
over	over	over	over	over	over	over	over	over	over	over	over	over	over	over	over	over	over	over	over	over	over	over	over		
0	30	53	70	90	115	150	250	350	500	0	30	53	70	90	115	150	200	250	320	0	10	all	0	100	150
±0.18	±0.20	±0.25	±0.3	±0.35	±0.44	±0.60	±0.70	±0.85	±0.20	±0.20	±0.25	±0.30	±0.35	±0.44	±0.55	±0.70	±0.80	±0.90	0.2	0.3	0.3	0.3	0.2	0.3	0.5

3	SCREW	XX	P	STEEL	Zn Plated
2	PIN	XX	P	BRASS	Tin Plated
1	HOUSING	XX	1	PA66 UL94V-0	SEE NOTE
ITEM	NAME OF PART	NO. OF PART	Q"TY	MATERIAL	NOTE
DWG.	YL	DATE	22.10.21	SIZE	A4 UNITS mm SHEET/OF 1 / 1
CHK.	DATE			SCALE	1:1
APP.	DATE			NAME	GT38C-B-XXP-XX-00
<b>宁波冠泰电子有限公司</b> NINGBO GOLTEN ELECTRONICS CO., LTD.				DWGNO.	XXXX