

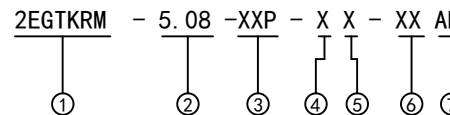
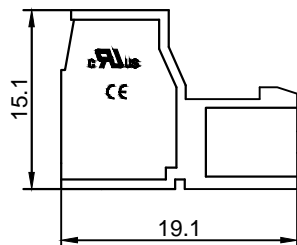
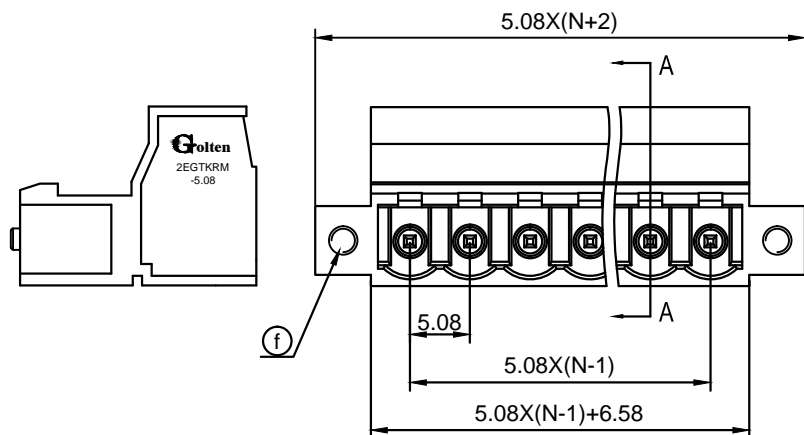
**Material :**

- (a) Housing : PA66(UL94V-0)
- (b) Cover : PA66(UL94V-0)
- (c) Screws1 : Steel , Cr<sup>3+</sup>Zn Plated
- (d) Contact : Brass ,Tin Plated
- (e) Cage : Brass , Ni Plated
- (f) Screws2 : Steel , Cr<sup>3+</sup>Zn Plated

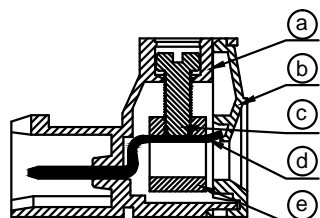
**Electrical :**

- 1.Rated Voltage : UL 300V IEC 320V
- 2.Rated Current : 15A 20A
- 3.Torque Value : M2.5 , 3.54Lb.in M2.5 , 0.4N.m
- 4.Wire Range: 28-12AWG 2.5mm<sup>2</sup>
- 5.Stripping Length : 7-8mm
- 6.Withstanding Voltage : AC1600V/1Min.
- 7.Operating Temperature : -40°C~+105°C
- 8.RoHS Compliance
- 9.Safety Approval :
- 10.Undimensioned Tolerances:

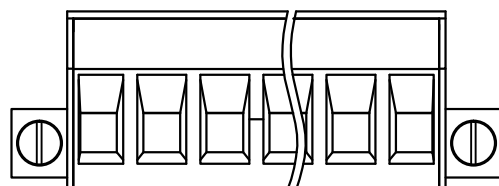
Pitch Range In mm			Nominal Dimension Range In mm					-	∩	∇
≤6	6 ~ 10	10 ~ 24	≤30	30 ~ 60	60 ~ 100	100 ~ 150	>150	0.05/10		
±0.10	±0.15	±0.25	±0.20	±0.30	±0.50	±0.70	±1.00	±0.1°		



- ① Series NO.
- ② Pitch
- ③ Poles  
02 02Contacts  
03 03Contacts  
...  
24 24Contacts
- ④ 1 Single Pitch  
2 Double Pitch
- ⑤ Color: 1 Grey  
2 Blue  
3 Black  
4 Green(Standard For AH)  
5 Orange  
6 Red  
7 Transparent  
8 Yellow  
9 White
- ⑥ Customer Request: 00--Standard M2.5
- ⑦ AH--Standard(PA66)



A-A



DETACHED LISTS	<b>Grolten</b> NINGBO GOLTEN ELECTRONICS CO., LTD.		宁波冠泰电子有限公司		
	APPD: MA_9/3/16'	CHKD: Yu_9/2/16'	PART NO. 2EGTKRM-5.08-XXP-XX-00AH		
	DRFT: Chen_9/1/16'	DRAWING NO.		REV	1
	 THIRD ANGLE PROJECTION		MM (INCH)	DO NOT SCALE DRAWING	SHEET
				SCALE	1/1