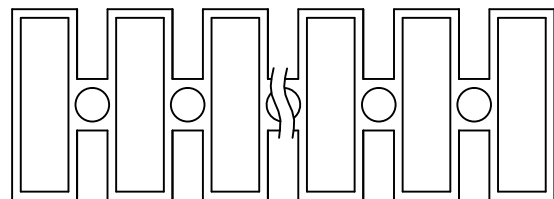


2:1



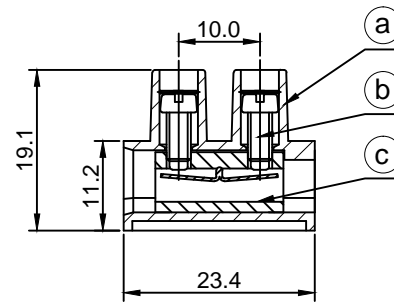
Material :

- (a) Housing : PA66(UL94V-2)
- (b) Screws : Steel , Cr³⁺Zn Plated
- (c) Current Carrier : Zinc Alloy with Stainless Steel wire protector

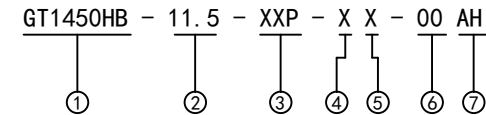
Electrical :

- 1.Rated Voltage : 300V UL 450V IEC
- 2.Rated Current : 30A 41A
- 3.Torque Value : M3.5 , 7.05Lb.in M3.5 , 0.8N.m
- 4.Wire Range: 14-10AWG 0.75-6.0mm²
- 5.Stripping Length : 7-8mm
- 6.Withstanding Voltage : AC3000V/1Min.
- 7.Operating Temperature : -40°C~+105°C
- 8.RoHS Compliance
- 9.Safety Approval : CE, cULus
- 10.Undimensioned Tolerances:

Pitch Range In mm		Nominal Dimension Range In mm				-	∩	∇
≤6	6 ~ 10	10 ~ 24	≤30	30 ~ 60	60 ~ 100	100 ~ 150	>150	0.05/10
±0.10	±0.15	±0.25	±0.20	±0.30	±0.50	±0.70	±1.00	±0.1°



A-A



- ① Series No.
- ② Pitch
- ③ Poles
02 02Contacts
03 03Contacts
...
12 12Contacts
- ④ 1 Single Pitch
2 Double Pitch
- ⑤ Color: 1 Grey
2 Blue
3 Black
4 Green
5 Orange
6 Red
7 Transparent
8 Yellow
9 White
- ⑥ Customer Request: 00--Standard
- ⑦ AH--Standard(PA66)

DETACHED LISTS	Grolten NINGBO GOLTEN ELECTRONICS CO., LTD.		宁波冠泰电子有限公司		
	APPD: MA_3/19/16'	PART NO.	GT1450HB-11.5-12P-17-00AH		
	CHKD: Yu_3/18/16'				
	DRFT: Chen_3/17/16'	DRAWING NO.	REV	1	
THIRD ANGLE PROJECTION		MM (INCH)	DO NOT SCALE DRAWING	SHEET	1/1
			SCALE	1/1	